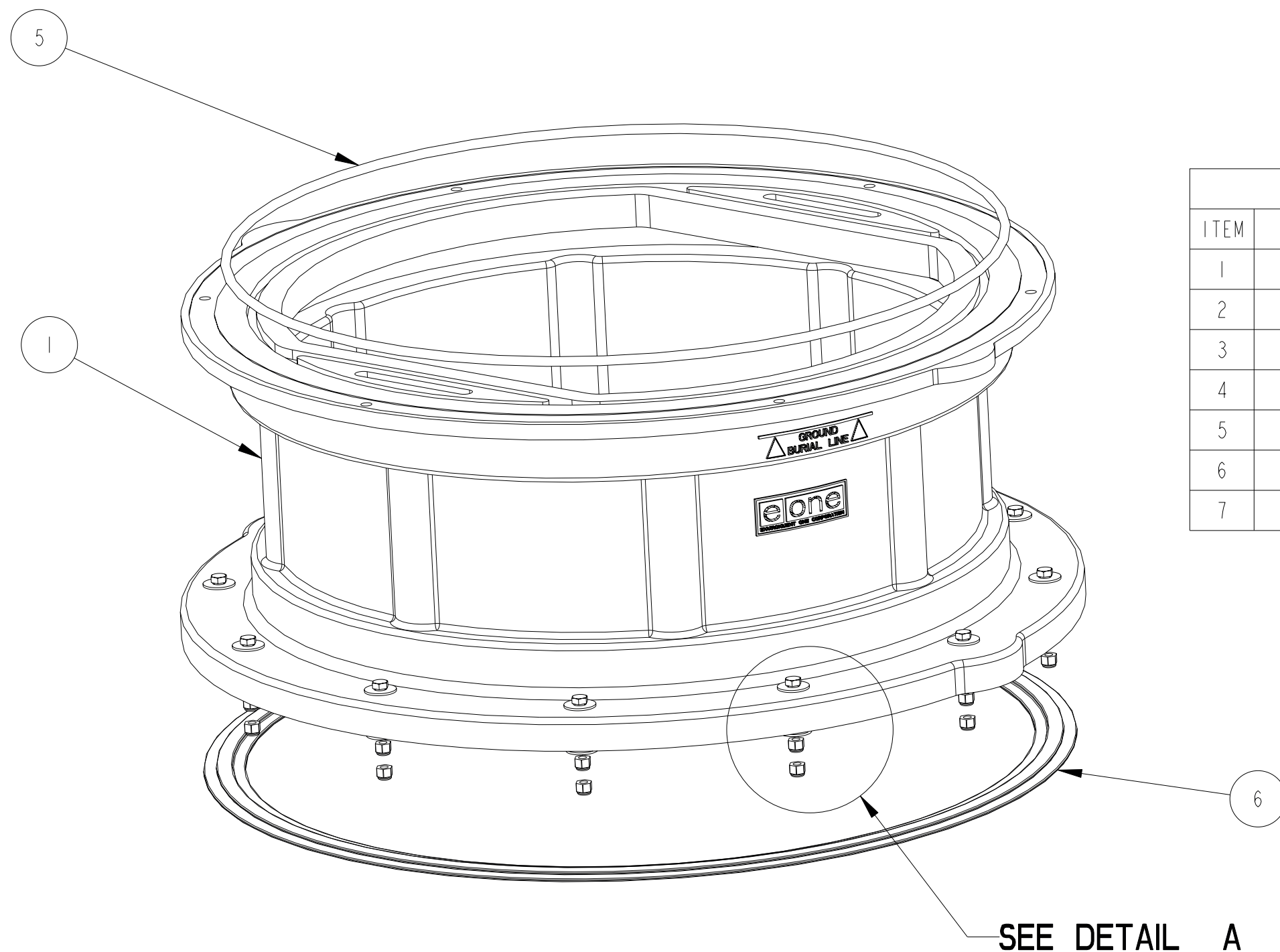
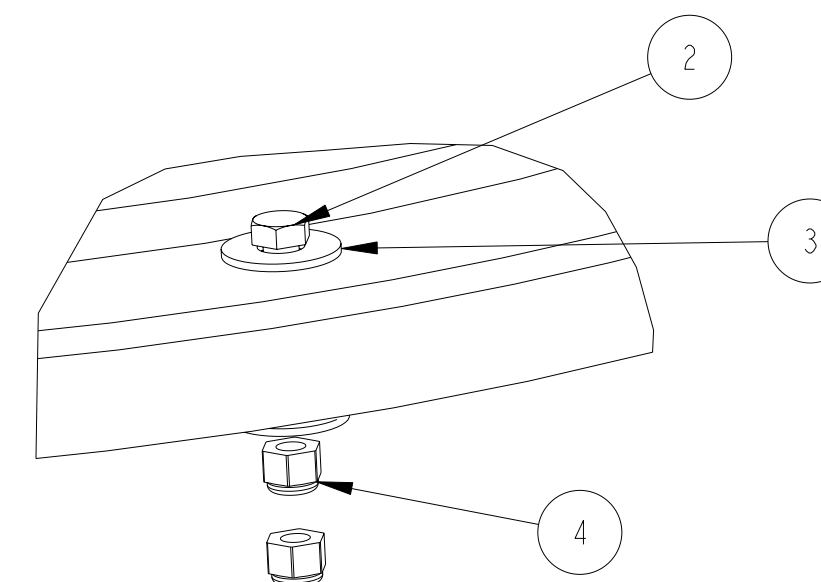


REV	REVISION DESCRIPTION	ECN	DATE	BY
-	INITIAL RELEASE	08-10126	4/18/08	PD



BILL OF MATERIAL				
ITEM	QTY	UNIT	PART NUMBER	DESCRIPTION
1	1	EA	PC1185P01	PE TANK EXTENSION, 865MM FLANGE
2	12	EA	0073-8028	SCREW, CAP, HEX 3/8-16x1-3/4
3	24	EA	0706-9012	WASHER, PLAIN TYPE A, .438 W, 18-8 PASS
4	24	EA	0719-3816B	STOP NUT, ELASTIC, 3/8-16
5	1	EA	PB0813P01	SEAL, TANK COLLAR
6	1	RL	PA1058P02	SIKA SEALANT TAPE 1/8" X 1" X 25 FT (MIN)
7	1	EA	PA2182P01	POLY EXTENSION INSTALL INSTRUCT



DETAIL A
SCALE 0.500

NOTES:

- ITEM 1, POLYETHYLENE EXTENSION TO BE MANUFACTURED PER E/ONE DWG. PC1185P01.
- ALL ITEMS TO BE SUPPLIED AS A KIT. ASSEMBLY OF COMPONENTS IS NOT REQUIRED FOR SHIPMENT.
- INCLUDE ITEM 7 (NOT SHOWN), EXTENSION INSTALLATION INSTRUCTIONS WITH KIT AT TIME OF SHIPMENT.
- ITEM 6 TO BE SIKALASTOMER SEALANT TAPE, 1" WIDE X 1/8" THICK; TAPE SHOULD BE PROVIDED AS ROLL WITH MINIMUM LENGTH OF 25 FT.

UNLESS OTHERWISE SPECIFIED THE FOLLOWING APPLIES	DR: PJD 3/20/08	 ENVIRONMENT ONE CORPORATION
	CHK: <i>Sam Asci</i>	
DIMENSIONING AND TOLERANCING AS PER ASME Y14.5M-1994	ENG: Clark Henry <small>Digitally signed by Clark Henry DN: cn=Clark Henry, c=US Date: 2008.04.28 11:33:12 -0400</small>	POLY TANK EXTENSION KIT 865MM FLANGE X 300MM TALL
UNITS IN INCHES AND LBS	APP:	MATERIAL: SEE BOM
DEFAULT TOLERANCES .X ±0.1 .XX ±0.02 .XXX ±0.005 ANGLE ±.5°	RELEASED: Skip Murrell <small>Digitally signed by Skip Murrell DN: cn=Skip Murrell, o=Environment One Corporation, ou=Engineering, email=smurrell@eone.com, c=US</small>	ENG MODEL: PC1274G01
E/ONE SHOP PRACTICE PER E-5000-01	SCALE: 0.20:1	SERVICE #:
ENG USE ONLY: REV: - ASSEM Mar-20-2008	WEIGHT: 0.000	PC1274G01
	VOLUME: 0.000	
	VER: 0 DENSITY: N/A	DRAWING NUMBER
		SH 1 OF 1 REV