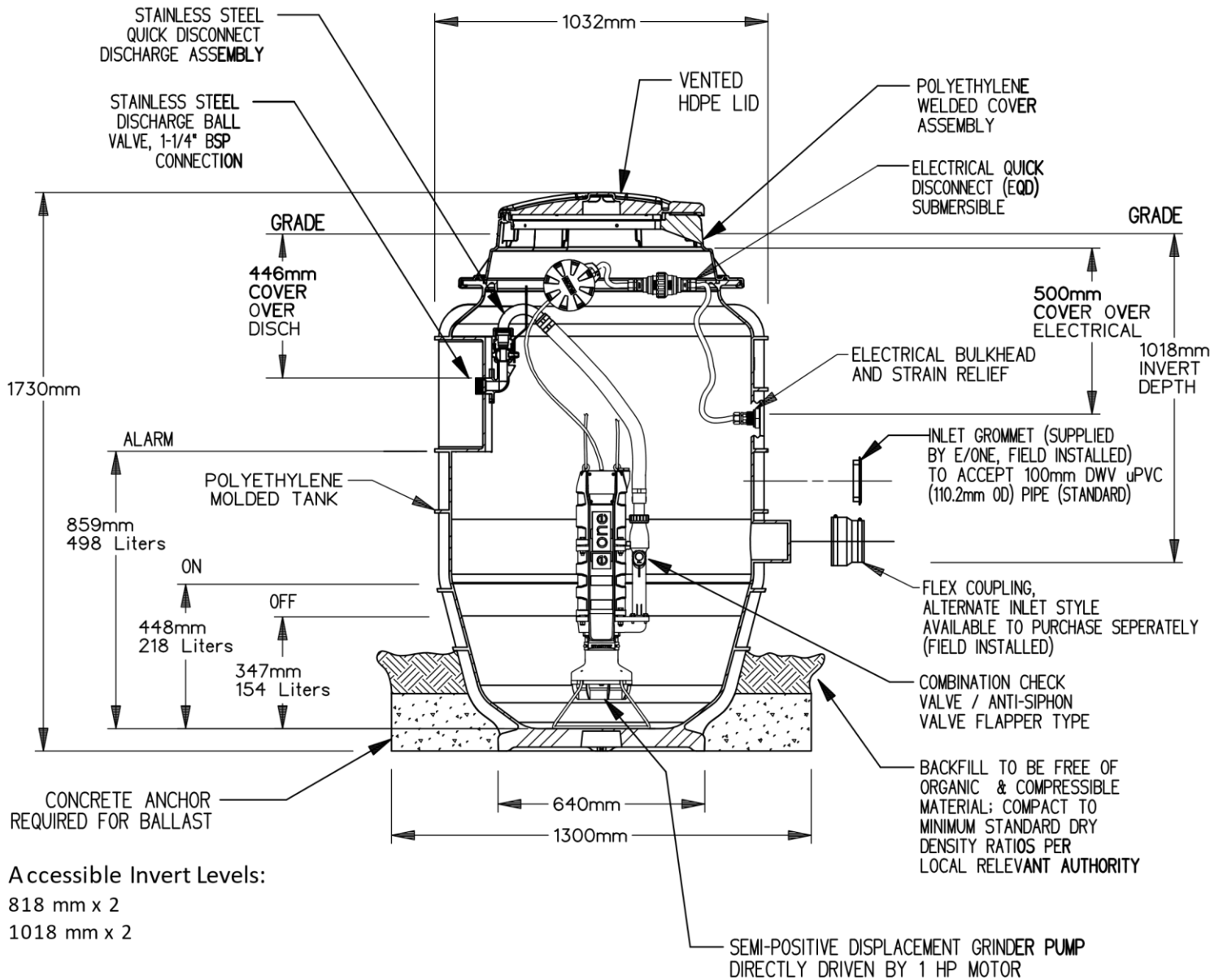


MODEL 2013iW

1000mm X 1700mm

900 LITER



Accessible Invert Levels:

818 mm x 2

1018 mm x 2

SPECIFICATIONS

2013iW - 1000 x 1700

BASIN	Diameter (mm)	Height (mm)	Weight (kg)	Total Capacity (l)	Capacity Above Alarm (l)	Ballast (m ³)	Inlet Pipe Size (mm)
	1032	1730	70	910	412	SEE DWG	100
PUMP	Pump (s)	Dimensions (mm)	Weight (kg)	Nominal Pump Rate @ 0m TDH (lps)	Nominal Pump Rate @ 20m TDH (lps)	Nominal Pump Rate @ 56m TDH (lps)	Discharge Size (mm)
	Simplex (1)	330 X 800	42	.75	.63	.40	32
ELECTRICAL	Voltage (VAC)	Phase	Cycle (Hz)	Supply Cable (m)	Alarm Panel		
	240	Single	50	As Specified	Simplex (1)		

SGS DN 09/13/17 - N/A

DR BY CHK'D DATE ISSUE SCALE

Enviro One

Services & Installations

MODEL 2013iW DETAIL SHEET, 900L
(1000mm X 1700mm)

NA0634P01